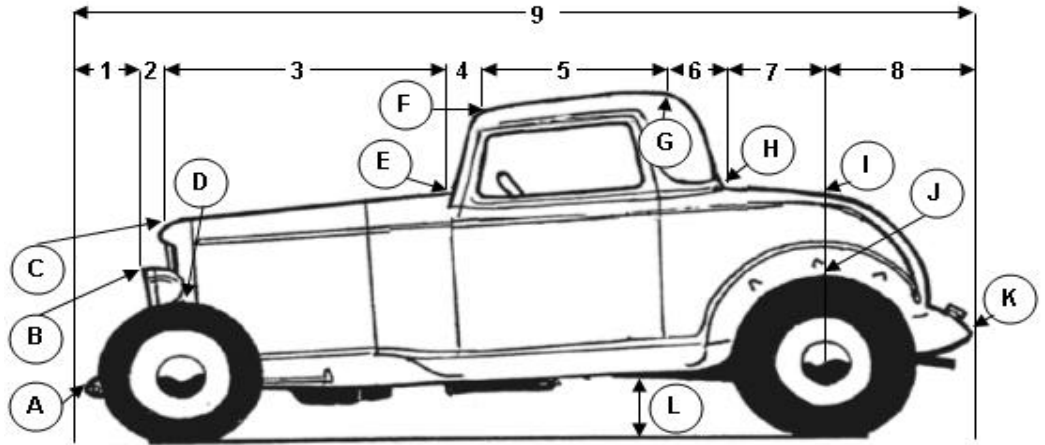


**DIMENSION SHEET**

**STREET ROD  
COUPE  
WITHOUT FENDERS**



- Lengths - Measured Horizontally**
- # 1 Front of car to front of headlight \_\_\_\_\_
  - # 2 Front of headlight to front of hood \_\_\_\_\_
  - # 3 Front of hood to base of windshield \_\_\_\_\_
  - # 4 Base of windshield to front of roof \_\_\_\_\_
  - # 5 Front of roof to rear of roof \_\_\_\_\_
  - # 6 Rear of roof to base of rear window \_\_\_\_\_
  - # 7 Base of window to center of rear axle \_\_\_\_\_
  - # 8 Center of rear axle to rear of car \_\_\_\_\_
  - # 9 Overall length of car, front to rear \_\_\_\_\_

**If you have measured correctly, the sum of # 1 through # 8 should equal # 9.**

- Heights - Measured from Ground**
- HA Height at front of car \_\_\_\_\_
  - HB Height at top of headlight \_\_\_\_\_
  - HC Height at front of hood \_\_\_\_\_
  - HD Height at top of front tire \_\_\_\_\_
  - HE Height at base of windshield \_\_\_\_\_
  - HF Height at front of roof \_\_\_\_\_
  - HG Height at rear of roof \_\_\_\_\_
  - HH Height at base of rear window \_\_\_\_\_
  - HI Height of trunk at point "I" \_\_\_\_\_
  - HJ Height at top of rear tire \_\_\_\_\_
  - HK Height at rear of car \_\_\_\_\_
  - HL Road clearance \_\_\_\_\_

**Widths, Measured Side to Side at Points Shown**

- WA Width of car at front \_\_\_\_\_
- WB Width of car at top of headlights \_\_\_\_\_
- WC Width of car at front of hood \_\_\_\_\_
- WD Width of car at front tires \_\_\_\_\_
- WE Width of hood at windshield \_\_\_\_\_
- WF Width of roof at front \_\_\_\_\_
- WG Width of roof at rear \_\_\_\_\_
- WH Width at base of rear window \_\_\_\_\_
- WI Width of car across trunk at "I" \_\_\_\_\_
- WJ Width of car at rear tires \_\_\_\_\_
- WK Width of car at rear \_\_\_\_\_

**Vehicle Information**

YEAR \_\_\_\_\_  
 MAKE \_\_\_\_\_  
 MODEL \_\_\_\_\_  
 Name \_\_\_\_\_  
 Date of order \_\_\_\_\_

**A photo of the vehicle will help us make the pattern.  
 The photo will be returned if requested.**

Daytime phone \_\_\_\_\_