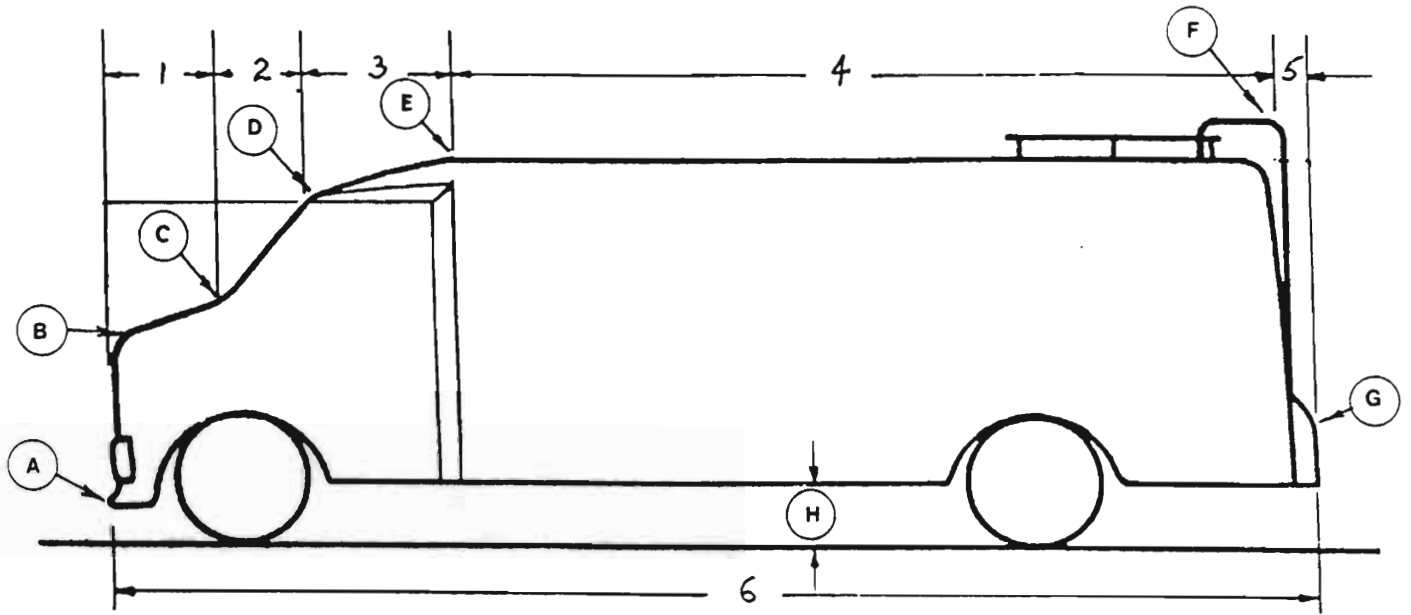


# DIMENSION SHEET - TRANS VAN



**Lengths  
(Measured Horizontally)**

- 1 Front of base of windshield \_\_\_\_\_
- 2 Base of windshield to front of roof \_\_\_\_\_
- 3 Front of roof to start of wide body \_\_\_\_\_
- 4 Front of roof to rear of roof \_\_\_\_\_
- 5 Rear of roof to rear bumper \_\_\_\_\_
- 6 Overall length, front to rear \_\_\_\_\_

**Heights  
Measured From Ground**

- A Height at bumper \_\_\_\_\_
- B Height at nose \_\_\_\_\_
- C Height at windshield \_\_\_\_\_
- D Height at roof front \_\_\_\_\_
- E Height at wide body \_\_\_\_\_
- F Height at roof rear \_\_\_\_\_
- G Height at rear bumper \_\_\_\_\_
- H Road clearance \_\_\_\_\_

IF YOU HAVE MEASURED CORRECTLY, THE SUM OF #1 THROUGH #5 SHOULD EQUAL #6

clearance \_\_\_\_\_

**Widths, Measured Side to Side at Points Shown**

- A Width at front bumper \_\_\_\_\_
- B Width of nose \_\_\_\_\_
- C Width at base of windshield \_\_\_\_\_
- D Width at front of roof \_\_\_\_\_
- E Width at start of wide body \_\_\_\_\_
- F Width at rear of roof \_\_\_\_\_
- G Width at rear bumper \_\_\_\_\_

**MAKE** \_\_\_\_\_

**MODEL** \_\_\_\_\_

**YEAR OF MANUFACTURE** \_\_\_\_\_

**DIMS 212**