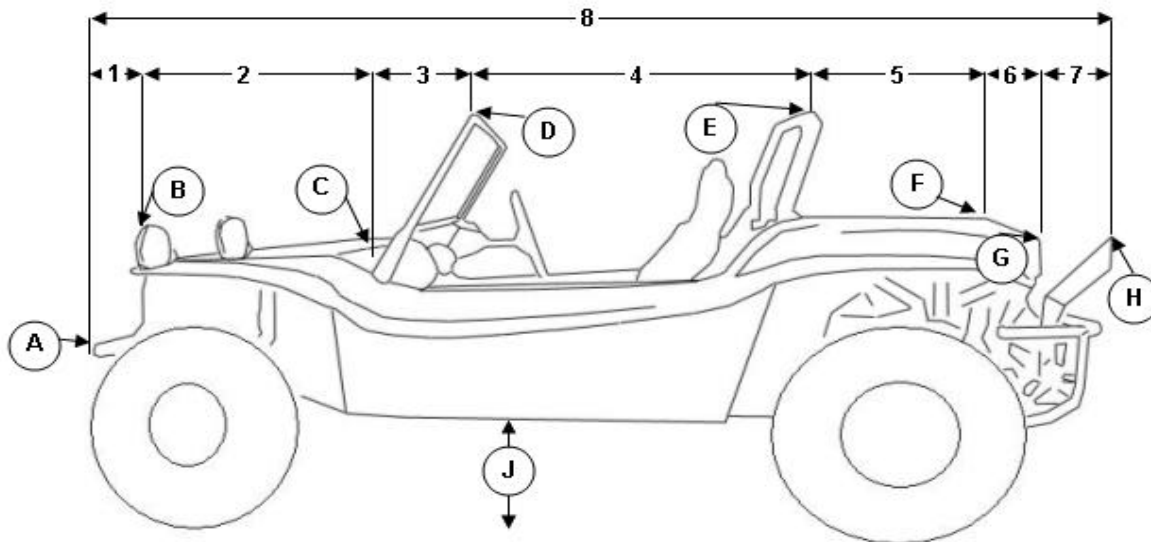


**DIMENSION SHEET - DUNE BUGGY**



**Lengths - Measured Horizontally**

- # 1 Front bumper to top of headlight \_\_\_\_\_
- # 2 Top of headlight to base of windshield \_\_\_\_\_
- # 3 Base of windshield to top of windshield \_\_\_\_\_
- # 4 Top of windshield to top of rear roll bar \_\_\_\_\_
- # 5 Top of rear roll bar to top of rear body \_\_\_\_\_
- # 6 Top of rear body to end of rear body \_\_\_\_\_
- # 7 End of rear body to end of tailpipe \_\_\_\_\_
- # 8 Overall length \_\_\_\_\_

**Heights - Measured from Ground**

- HA Height at front rail or bumper \_\_\_\_\_
- HB Height at top of headlight \_\_\_\_\_
- HC Height at base of windshield \_\_\_\_\_
- HD Height at top of windshield \_\_\_\_\_
- HE Height at top of rear roll bar \_\_\_\_\_
- HF Height at point "F" \_\_\_\_\_
- HG Height at point "G" \_\_\_\_\_
- HH Height at top of tailpipe \_\_\_\_\_
- HJ Road clearance \_\_\_\_\_

If you have measured correctly, #1 thru #7 should be the same as #8

**Widths, Measured Side to Side at Points Shown**

- WA Width at front rail or bumper \_\_\_\_\_
- WB Width at top of headlights \_\_\_\_\_
- WC Width at base of windshield \_\_\_\_\_
- WD Width at top of windshield \_\_\_\_\_
- WE Width at top of rear roll bar \_\_\_\_\_
- WF Width at point "F" \_\_\_\_\_
- WG Width at point "G" \_\_\_\_\_
- WH Width at point "H" \_\_\_\_\_

**Vehicle Information**

A photo of the vehicle will help us make the pattern. The photo can be returned if requested.

YEAR \_\_\_\_\_

MAKE \_\_\_\_\_

MODEL \_\_\_\_\_

BODY \_\_\_\_\_

Name \_\_\_\_\_

Daytime phone \_\_\_\_\_

Date of order \_\_\_\_\_