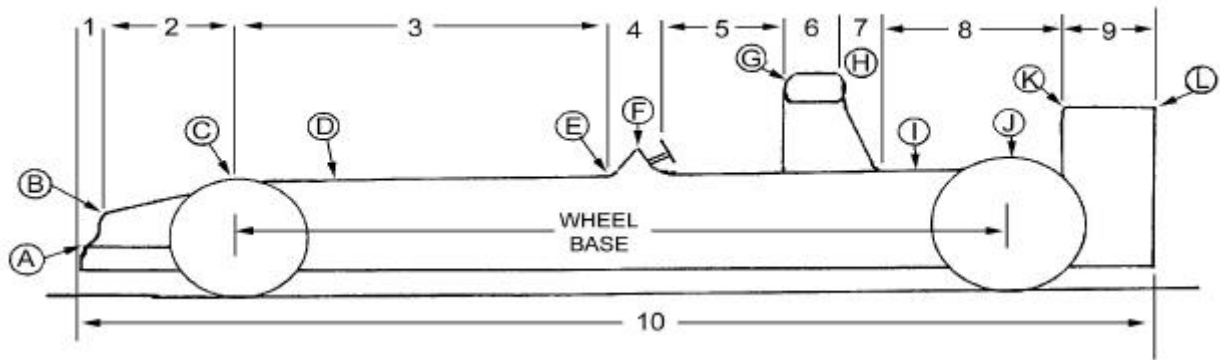


DIMENSION SHEET - FORMULA / INDY RACE CAR



- Lengths - Measured Horizontally**
- # 1 Front of wing to front of nose _____
 - # 2 Front of nose to center of wheel _____
 - # 3 Center of wheel to front of windscreen _____
 - # 4 Front of windscreen to steering wheel _____
 - # 5 Steering wheel to air intake _____
 - # 6 Front of air intake to rear of intake _____
 - # 7 Rear of air intake to base of intake _____
 - # 8 Base of intake to front of rear wing _____
 - # 9 Front of rear wing to rear of rear wing _____
 - Total _____
 - # 10 Overall length _____

- Heights - Measured from Ground**
- A Height of front wing _____
 - B Height of front nose _____
 - C Height of front tire _____
 - D Height of body _____
 - E Height of body at windscreen _____
 - F Height at top of windscreen _____
 - G Height of air intake at front _____
 - H Height of air intake at rear _____
 - I Height of body at point "I" _____
 - J Height of rear tire _____
 - K Height of rear wing at front _____
 - L Height of rear wing at rear _____

If you have measured correctly, the total of # 1 through # 9 should be the same as # 10.

Wheel base of vehicle - center of front wheel to center of rear wheel _____

Widths, Measured Side to Side at Points Shown

- | | |
|---|---|
| A Width of front wing _____ | G Width at front of air intake _____ |
| B Width of front nose _____ | H Width at rear of air intake _____ |
| C Width across front tires _____ | I Width of body at point "I" _____ |
| D Width across top of body at point "D" _____ | J Width across rear tires _____ |
| E Width of body at windscreen _____ | K Width across front of rear wing _____ |
| F Width at top of windscreen _____ | L Width across rear of rear wing _____ |

Vehicle Information

A photo of the vehicle will help us make the pattern. The photo can be returned if requested.

MAKE _____

MODEL _____

YEAR _____

NAME _____

Daytime phone _____

Date of order _____