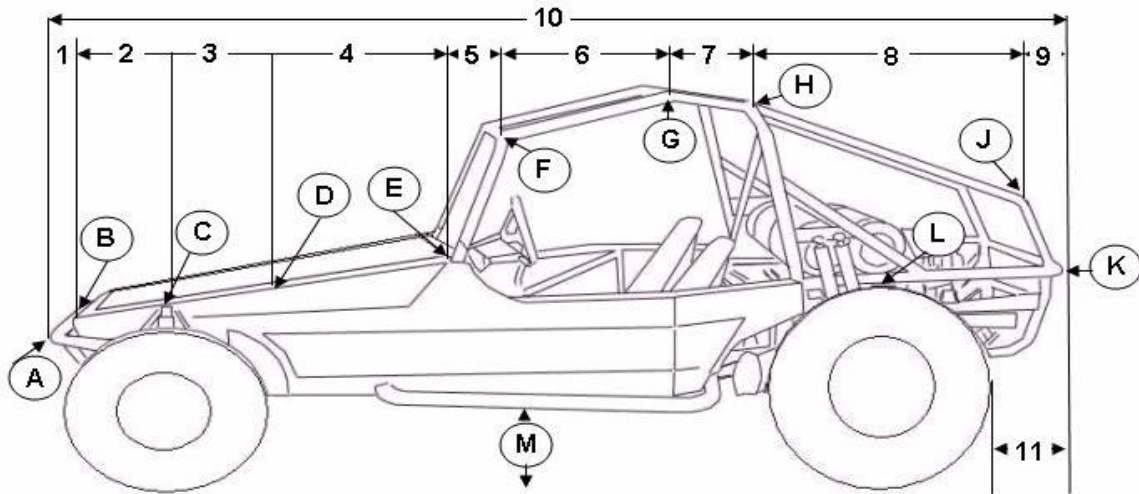


DIMENSION SHEET - SAND RAIL



Lengths - Measured Horizontally

- # 1 Front rail to front of body _____
- # 2 Front of body to center of front tire _____
- # 3 Center of front tire to end of front tire _____
- # 4 End of front tire to base of windshield _____
- # 5 Base of windshield to top of windshield _____
- # 6 Top of windshield to peak of roll cage _____
- # 7 Peak of roll cage to rear of roll cage _____
- # 8 Rear of roll cage to rear of engine cage _____
- # 9 Rear of engine cage to rear rail _____
- # 10 Overall length _____

If you have measured correctly, #1 thru #9 should be the same as #10

11 Distance from rear of rear tire to rear bumper _____

Heights - Measured from Ground

- HA Height at front rail or bumper _____
- HB Height at "B" _____
- HC Height at front tire _____
- HD Height of rail behind front tire _____
- HE Height at base of roll cage _____
- HF Height at "F" _____
- HG Height at peak of roll cage _____
- HH Height at "H" _____
- HJ Height at "J" _____
- HK Height at rear rail or bumper _____
- HL Height at rear tire _____
- HM Road clearance _____

Widths, Measured Side to Side at Points Shown

- WA Width at front rail or bumper _____
- WB Width at point "B" _____
- WC Width at front tire _____
- WD Width at rail behind front tire _____
- WE Width at base of roll cage _____
- WF Width at point "F" _____
- WG Width at peak of roll cage _____
- WH Width at point "H" _____
- WJ Width at point "J" _____
- WK Width at rear rail or bumper _____
- WL Width at rear tire _____

Vehicle Information

YEAR _____
 MAKE _____
 MODEL _____
 BODY _____

Name _____
 Daytime phone _____
 Date of order _____

A photo of the vehicle will help us make the pattern. The photo can be returned if requested.