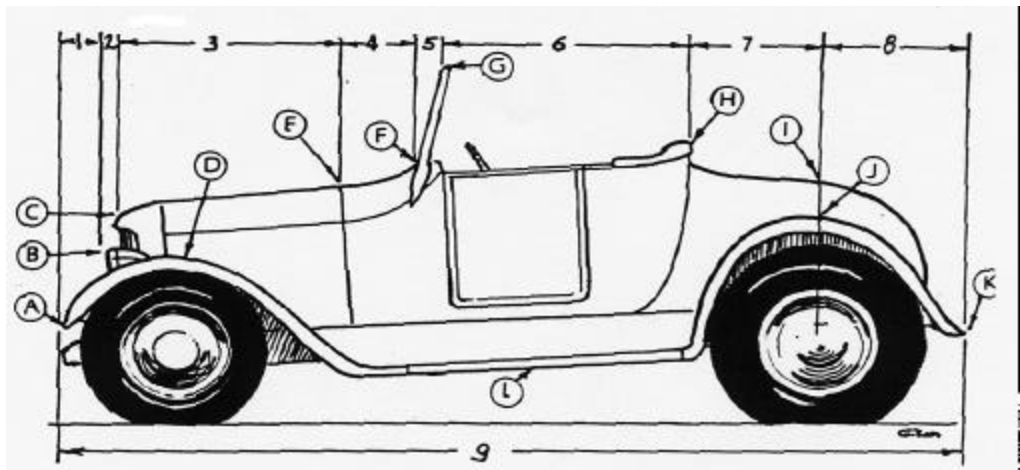


**Ford "T"  
Roadster,  
no top,  
no bumpers,  
with fenders**



**Lengths - Measured Horizontally**

- # 1 Front of car to front of headlight \_\_\_\_\_
- # 2 Front of headlight to front of hood \_\_\_\_\_
- # 3 Front of hood to rear of hood \_\_\_\_\_
- # 4 Rear of hood to base of windshield \_\_\_\_\_
- # 5 Front of windshield to top of windshield \_\_\_\_\_
- # 6 Top of windshield to front of trunk \_\_\_\_\_
- # 7 Front of trunk to center of rear axle \_\_\_\_\_
- # 8 Center of rear axle to rear of car \_\_\_\_\_
- # 9 Overall length of car, front to rear \_\_\_\_\_

**If you have measured correctly, the sum of # 1 through # 8 should equal # 9.**

**Heights - Measured from Ground**

- HA Height at front of car \_\_\_\_\_
- HB Height at top of headlights \_\_\_\_\_
- HC Height at front of hood \_\_\_\_\_
- HD Height at highpoint of fender \_\_\_\_\_
- HE Height of hood at point "E" \_\_\_\_\_
- HF Height at base of windshield \_\_\_\_\_
- HG Height at top of windshield \_\_\_\_\_
- HH Height at front of trunk \_\_\_\_\_
- HI Height of trunk at point "I" \_\_\_\_\_
- HJ Height at top of rear fender \_\_\_\_\_
- HK Height at rear of car \_\_\_\_\_
- HL Road Clearance \_\_\_\_\_

**Widths, Measured Side to Side at Points Shown**

- WA Width of car at front fender \_\_\_\_\_
- WB Width across front headlights \_\_\_\_\_
- WC Width of hood at front \_\_\_\_\_
- WD Width of car at top of front fender \_\_\_\_\_
- WE Width of car at rear of hood \_\_\_\_\_
- WF Width at base of windshield \_\_\_\_\_
- WG Width of windshield at top \_\_\_\_\_
- WH Width of trunk at front \_\_\_\_\_
- WI Width of trunk at point "I" \_\_\_\_\_
- WJ Width of car at rear fenders \_\_\_\_\_
- WK Width of car at rear \_\_\_\_\_

**Vehicle Information**

A photo of the vehicle will help us make the pattern. The photo can be returned if requested.

MAKE \_\_\_\_\_

MODEL \_\_\_\_\_

YEAR \_\_\_\_\_

NAME \_\_\_\_\_

Daytime phone \_\_\_\_\_

Date of order \_\_\_\_\_