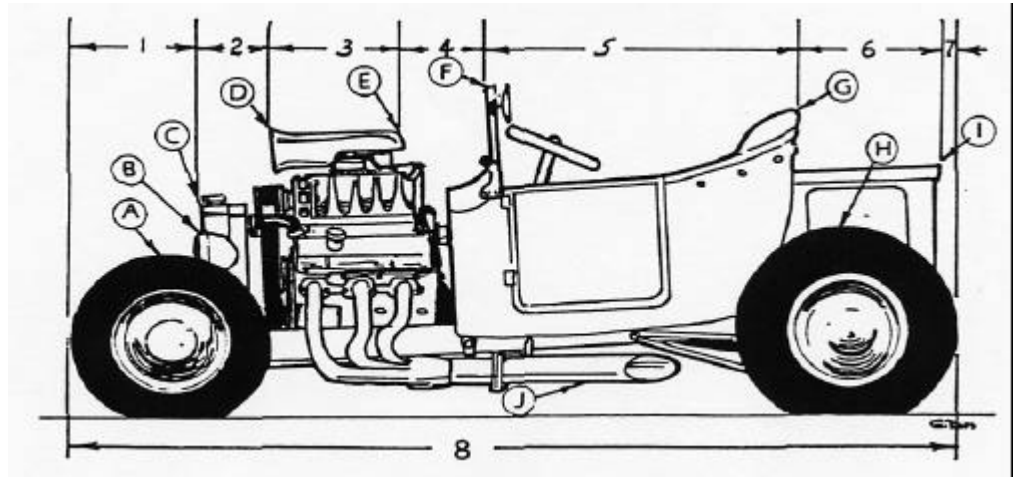


**1923 Ford
"T" Bucket
Roadster,
no top,
with blower**



- Lengths - Measured Horizontally**
- # 1 Front of car to front of hood _____
 - # 2 Front of hood to front of hood scoop _____
 - # 3 Front of hood scoop to rear of scoop _____
 - # 4 Rear of hood scoop to top of windshield _____
 - # 5 Front of windshield to rear of seat _____
 - # 6 Rear of seatback to rear of box _____
 - # 7 Rear of box to rear of tire _____
 - # 8 Overall length, front to rear _____
- If you have measured correctly, the sum of # 1 through # 7 should equal # 8.**

- Heights - Measured from Ground**
- HA Height of front tire _____
 - HB Height at top of headlights _____
 - HC Height at front of hood _____
 - HD Height at front of scoop _____
 - HE Height at rear of scoop _____
 - HF Height at top of windshield _____
 - HG Height at top of seat backrest _____
 - HH Height at top of rear tire _____
 - HI Height at rear of box _____
 - HJ Road Clearance _____

Widths, Measured Side to Side at Points Shown

- WA Width of car at front fender _____
- WB Width across front hood _____
- WC Width of scoop at front _____
- WD Width of scoop at rear _____
- WE Width of roof at front _____
- WF Width of roof at highpoint _____
- WG Width of roof at rear _____
- WH Width of car across fenders _____
- WI Width of box at rear _____
- WJ Width of car at rear fenders _____

Vehicle Information

A photo of the vehicle will help us make the pattern. The photo can be returned if requested.

MAKE _____

MODEL _____

YEAR _____

NAME _____

Daytime phone _____

Date of order _____

DIMS 173 (2/03)