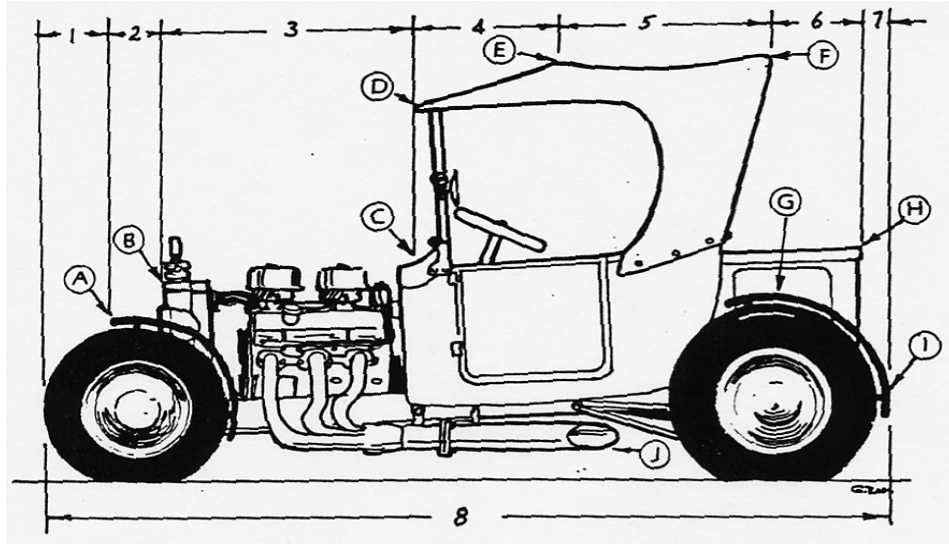


**1923 Ford  
"T" Bucket  
Roadster,  
with top &  
no rods or  
straps to  
windshield**



- Lengths - Measured Horizontally**
- # 1 Front of car to front of fender \_\_\_\_\_
  - # 2 Front of fender to front of hood \_\_\_\_\_
  - # 3 Front of hood to front of roof \_\_\_\_\_
  - # 4 Front of roof to highpoint of roof \_\_\_\_\_
  - # 5 Highpoint of roof to rear of roof \_\_\_\_\_
  - # 6 Rear of roof to rear of box \_\_\_\_\_
  - # 7 Rear of box to rear of fender \_\_\_\_\_
  - # 8 Overall length, front to rear \_\_\_\_\_
- If you have measured correctly, the sum of # 1 through # 7 should equal # 8.**

- Heights - Measured from Ground**
- HA Height to top of front fender \_\_\_\_\_
  - HB Height to top of radiator \_\_\_\_\_
  - HC Height of cowl at base of roof \_\_\_\_\_
  - HD Height at front of roof \_\_\_\_\_
  - HE Height at highpoint of roof \_\_\_\_\_
  - HF Height at rear of roof \_\_\_\_\_
  - HG Height at top of rear fender \_\_\_\_\_
  - HH Height at rear of box \_\_\_\_\_
  - HI Height at rear of car \_\_\_\_\_
  - HJ Ground clearance \_\_\_\_\_

**Widths, Measured Side to Side at Points Shown**

- WA Width of car at front fender \_\_\_\_\_
- WB Width across front hood \_\_\_\_\_
- WC Width across cowl at base of roof \_\_\_\_\_
- WD Width of roof at front \_\_\_\_\_
- WE Width of roof at highpoint \_\_\_\_\_
- WF Width of roof at rear \_\_\_\_\_
- WG Width of car at rear fenders \_\_\_\_\_
- WH Width of box at rear \_\_\_\_\_
- WI Width of car at rear \_\_\_\_\_

**Vehicle Information**

A photo of the vehicle will help us make the pattern. The photo can be returned if requested.

MAKE \_\_\_\_\_

MODEL \_\_\_\_\_

YEAR \_\_\_\_\_

NAME \_\_\_\_\_

Daytime phone \_\_\_\_\_

Date of order \_\_\_\_\_

DIMS 169 (02/03)