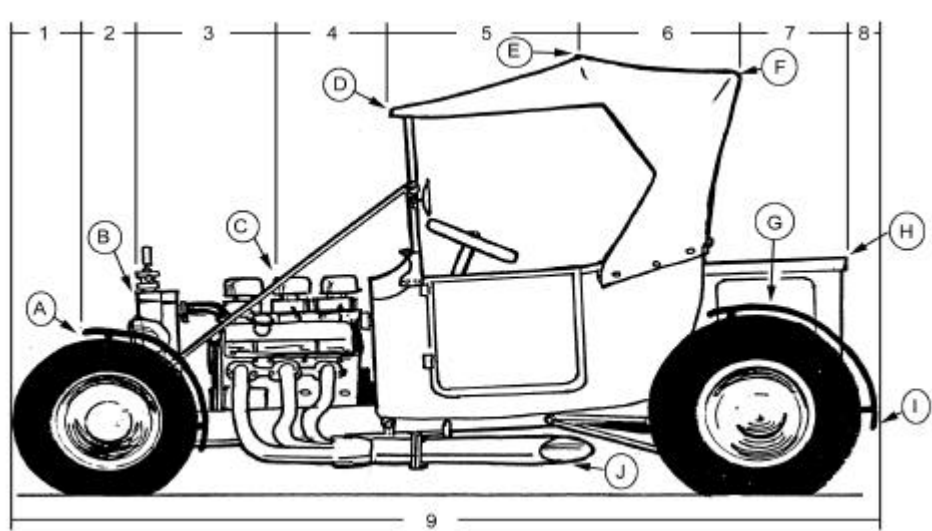


**1923 Ford
"T" Bucket
Roadster,
with top &
w/rods or
straps to
windshield**



Lengths - Measured Horizontally

- # 1 Front of car to front of fender _____
- # 2 Front of fender to front of hood _____
- # 3 Front of hood to rods or straps _____
- # 4 Straps or rods to top of windshield _____
- # 5 Front of windshield to rear of seat _____
- # 6 Rear of seatback to rear of box _____
- # 7 Rear of box to rear of tire _____
- # 8 Overall length, front to rear _____

If you have measured correctly, the sum of # 1 through # 7 should equal # 8.

Heights - Measured from Ground

- HA Height to top of front fender _____
- HB Height to top hood _____
- HC Height at straps or rods _____
- HD Height at front of roof _____
- HE Height at highpoint of roof _____
- HF Height at rear of roof _____
- HG Height at top of rear fender _____
- HH Height at rear of box _____
- HI Height at rear of car _____
- HJ Ground clearance _____

Widths, Measured Side to Side at Points Shown

- WA Width of car at front fender _____
- WB Width across front hood _____
- WC Width across straps or rods _____
- WD Width of roof at front _____
- WE Width of roof at highpoint _____
- WF Width of roof at rear _____
- WG Width of car at rear fenders _____
- WH Width of box at rear _____
- WI Width of car at rear _____

Vehicle Information

A photo of the vehicle will help us make the pattern. The photo can be returned if requested.

MAKE _____

MODEL _____

YEAR _____

NAME _____

Daytime phone _____

Date of order _____

DIMS 168 (06/02)