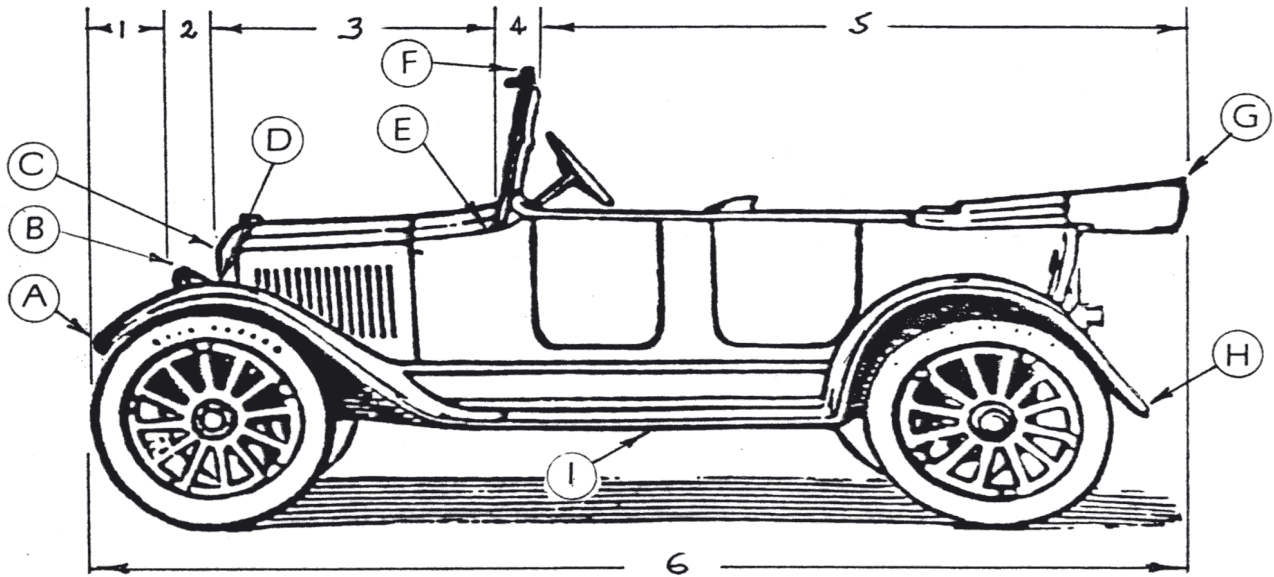


**DIMENSION SHEET
PHAETON WITH TOP DOWN**



Lengths - Measured Horizontally

- # 1 Front of car to front of headlights _____
- # 2 front of headlights to front of hood _____
- # 3 Front of hood to base of windshield _____
- # 4 Base of windshield to top of windshield _____
- # 5 Top of windshield to rear of car _____
- # 6 Overall length of car _____

If you have measured correctly, the total of #1 through #5 should equal #6

Total _____

Heights - Measured from Ground

- HA Height at "A" _____
- HB Height at "B" _____
- HC Height at "C" _____
- HD Height at "D" _____
- HE Height at "E" _____
- HF Height at "F" _____
- HG Height at "G" _____
- HH Height at "H" _____
- HI Road Clearance _____

Widths, Measured Side to Side at Points Shown

- WA Width at front of car _____
- WB Width of car at headlights _____
- WC Width at front of hood _____
- WD Width of car at point "D" _____
- WE Width at base of windshield _____
- WF Width at top of windshield _____
- WG Width at rear of car _____
- WH Width at rear fender _____

Vehicle Information

A photo of the vehicle will help us make the pattern. The photo can be returned if requested.

YEAR _____ MODEL _____

MAKE _____ BODY STYLE _____

NAME _____

Daytime phone _____

Date of order _____