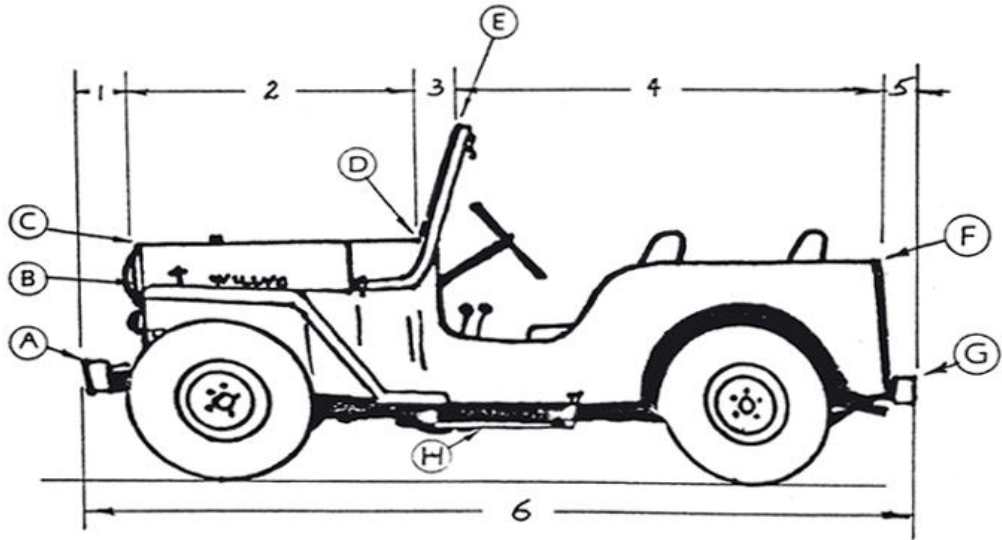


Jeep®
with No Top &
No Rear Spare



- Lengths - Measured Horizontally**
- # 1 Front of front bumper to front of hood _____
 - # 2 Front of hood to base of windshield _____
 - # 3 Base of windshield to top of windshield _____
 - # 4 Top of windshield to rear of body _____
 - # 5 Rear of body to rear of bumper _____
 - # 6 Overall length, front to rear _____
- If you have measured correctly, the sum of # 1 through # 5 should equal # 6.

- Heights - Measured from Ground**
- HA Height to top of front bumper _____
 - HB Height at top of front fender _____
 - HC Height at front of hood _____
 - HD Height at base of windshield _____
 - HE Height at top of windshield _____
 - HF Height at rear of body _____
 - HG Height at top of rear bumper _____
 - HH Ground clearance _____

Widths, Measured Side to Side at Points Shown

- WA Width at front bumper _____
- WB Width at front of fenders _____
- WC Width at front of hood _____
- WD Width at base of windshield _____

- WE Width of top of windshield _____
- WF Width at rear of body _____
- WG Width at rear bumper _____

Draw in any options / accessories on this vehicle and note their dimensions - winches, light bars, etc.

Vehicle Information

YEAR _____

MAKE _____

MODEL _____

Name _____

Daytime phone _____

Date of order _____

A photo of the vehicle will help us make the pattern. The photo can be returned if requested.