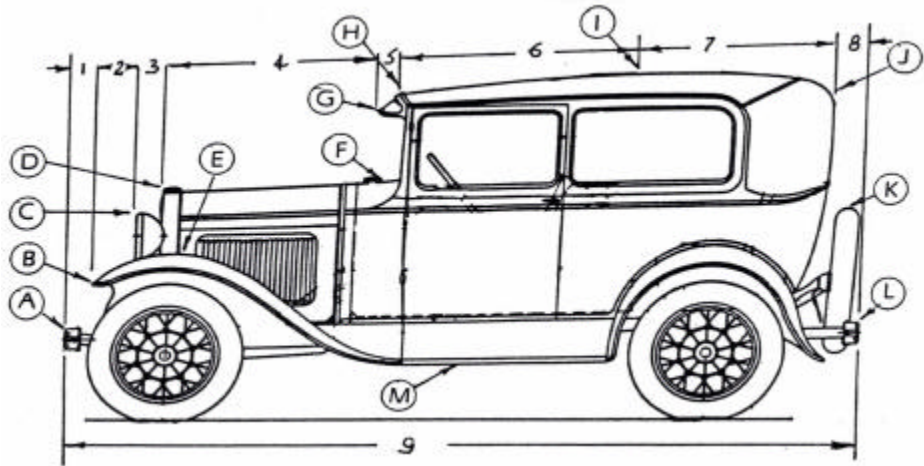


**LATE 20'S
2-DOOR SEDAN**



Lengths - Measured Horizontally

# 1	Front of car to tip of fender	_____
# 2	Tip of fender to front of headlights	_____
# 3	Front of headlights to front of hood	_____
# 4	Front of hood to front edge of visor	_____
# 5	Visor to front edge of roof	_____
# 6	Front of roof to highpoint of roof	_____
# 7	Highpoint of roof to rear of roof	_____
# 8	Rear of roof to rear of bumper	_____
(If measured correctly, #1 through #8 should equal #9)		Total _____
# 9	Overall length of car, front to rear	_____

Heights - Measured from Ground

HA	Height at "A"	_____
HB	Height at "B"	_____
HC	Height at "C"	_____
HD	Height at "D"	_____
HE	Height at "E"	_____
HF	Height at "F"	_____
HG	Height at "G"	_____
HH	Height at "H"	_____
HI	Height at "I"	_____
HJ	Height at "J"	_____
HK	Height at "K"	_____
HL	Height at "L"	_____
HM	Road clearance	_____

Widths, Measured Side to Side at Points Shown

WA	Width across front of car at "A"	_____	WG	Width across front of visor	_____
WB	Width across fenders at "B"	_____	WH	Width across front of roof	_____
WC	Width across headlights at "C"	_____	WI	Width across roof at "I"	_____
WD	Width across hood at "D"	_____	WJ	Width across rear of roof	_____
WE	Width, side to side at "E"	_____	WK	Width across car at "K"	_____
WF	Width at base of windshield	_____	WL	Width at rear bumper	_____

Vehicle Information

A photo of the vehicle will help us make the pattern. The photo can be returned if requested.

YEAR _____ MAKE _____

MODEL _____ BODY STYLE _____

NAME _____

Daytime phone _____

Date of order _____

DIMS 128 (12/03)