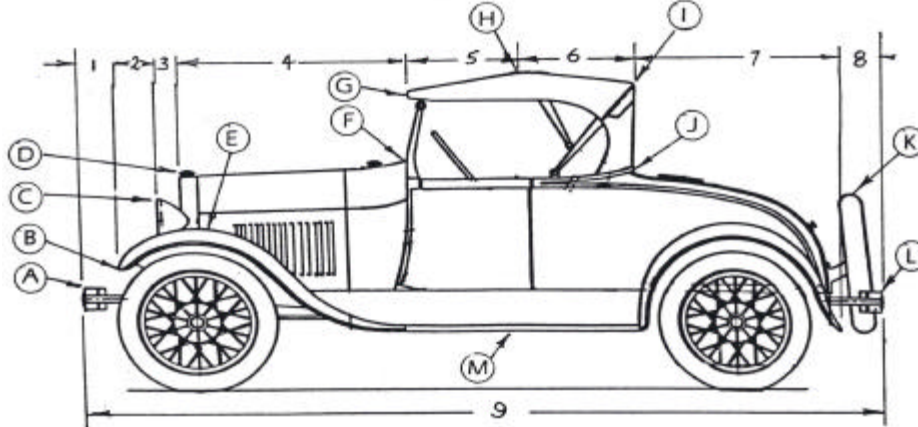


DIMENSION SHEET - LATE 20'S ROADSTER (FORD)



- Lengths - Measured Horizontally**
- # 1 Front of car to tip of fender _____
 - # 2 Tip of fender to front of headlights _____
 - # 3 Front of headlights to front of hood _____
 - # 4 Front of hood to front of roof _____
 - # 5 Front of roof to highpoint of roof _____
 - # 6 Highpoint of roof to rear of roof _____
 - # 7 Rear of roof to rear of fender _____
 - # 8 Rear of fender to rear of bumper _____
 - (If measured correctly, #1 through #8 should equal #9)** Total
 - # 9 Overall length of car, front to rear _____

- Heights - Measured from Ground**
- HA Height at "A" _____
 - HB Height at "B" _____
 - HC Height at "C" _____
 - HD Height at "D" _____
 - HE Height at "E" _____
 - HF Height at "F" _____
 - HG Height at "G" _____
 - HH Height at "H" _____
 - HI Height at "I" _____
 - HJ Height at "J" _____
 - HK Height at "K" _____
 - HL Height at "L" _____
 - HM Road clearance _____

Widths, Measured Side to Side at Points Shown

- | | |
|--|--|
| WA Width across front of car at "A" _____ | WG Width across front of roof _____ |
| WB Width across fenders at "B" _____ | WH Width across highpoint of roof _____ |
| WC Width across headlights at "C" _____ | WI Width across rear of roof _____ |
| WD Width across hood at "D" _____ | WJ Width across body at "J" _____ |
| WE Width, side to side at "E" _____ | WK Width across car at "K" _____ |
| WF Width at base of windshield _____ | WL Width at rear bumper _____ |

Vehicle Information

A photo of the vehicle will help us make the pattern. The photo can be returned if requested.

YEAR _____ MAKE _____

MODEL _____ BODY STYLE _____

NAME _____

Daytime phone _____

Date of order _____